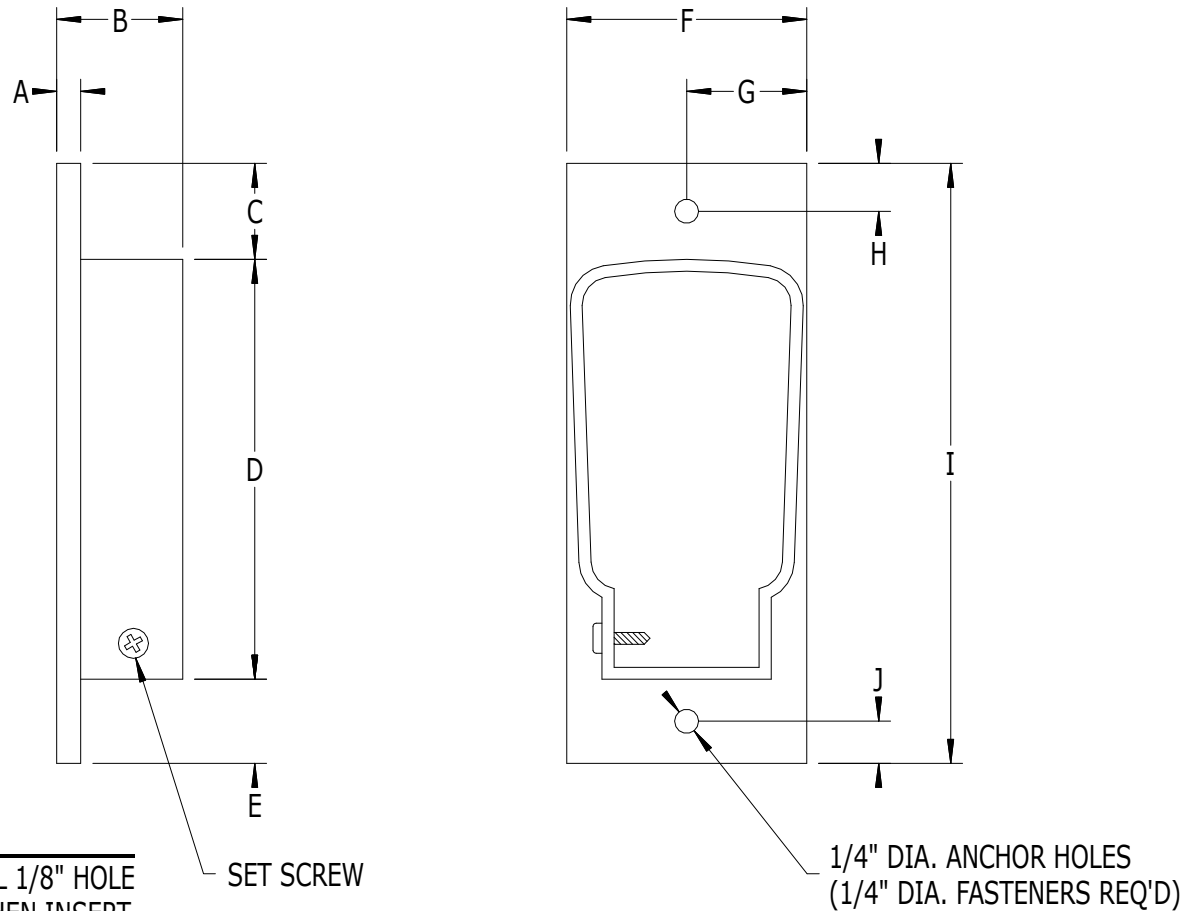


SCALE: 1/2



SET SCREW NOTE

AFTER RAILS ARE IN PLACE DRILL 1/8" HOLE THROUGH BRACKET AND RAIL THEN INSERT #310 SCREW (#8 x 1/2" PANHEAD).

SET SCREW

1/4" DIA. ANCHOR HOLES
(1/4" DIA. FASTENERS REQ'D)

#946 - ADJUSTABLE END BRACKET FOR #902 TOP RAIL

LABEL	A	B	C	D	E	F	G	H	I	J
DIMENSION	1/4"	1-5/16"	1"	4-3/8"	7/8"	2-1/2"	1-1/4"	1/2"	6-1/4"	7/16"

