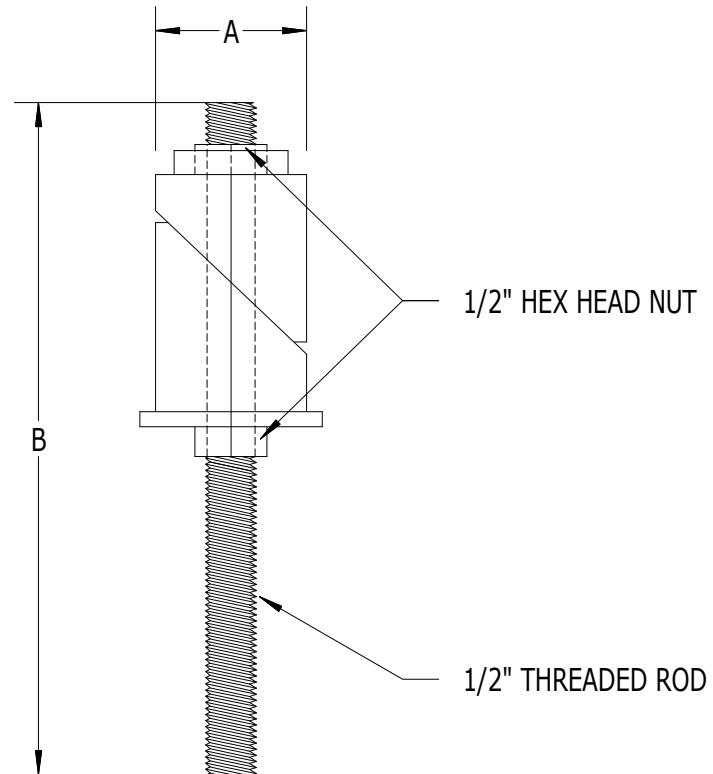


SCALE: 1/2

### #550 STUDDED BASE DESIGNED TO FIT INSIDE 1-1/2" SCHEDULE 40 PIPE SIZE



## **#550 - SERIES 500 STUDDED BASE**

| LABEL     | A      | B  |
|-----------|--------|----|
| DIMENSION | 1-1/2" | 7" |

**Superior**  
Aluminum Products, Inc.